

# 2614 Pneumatic Vibrator



## PROGRADE

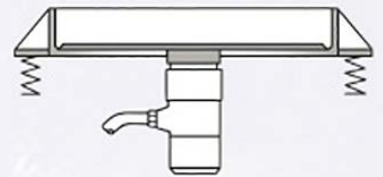
Oscillating piston type has cushioned forward and reverse strokes, which together with the muffled exhaust ports make the unit barely audible within its frequency range of 38 to 45 cps.

### Applications

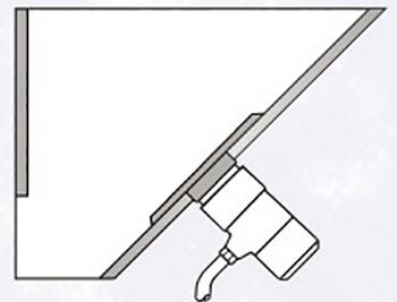
- Jogging cut paper
- Small feed trays
- Small compacting tables
- Flexible plates inside hoppers

### Industries

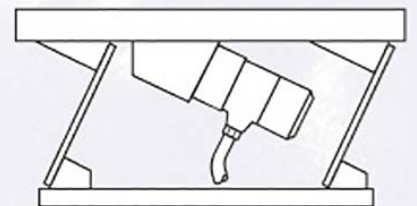
- Foundries
- Agriculture
- Printing
- Plastics
- Packaging



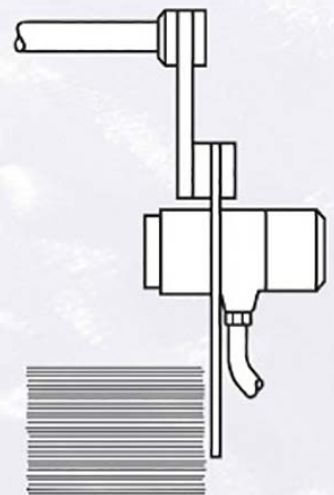
Small compacting tables



Small hoppers



Transfer chutes



Logging cut paper



# Installation

## Securing

Two 6mm bolts and lock washers.

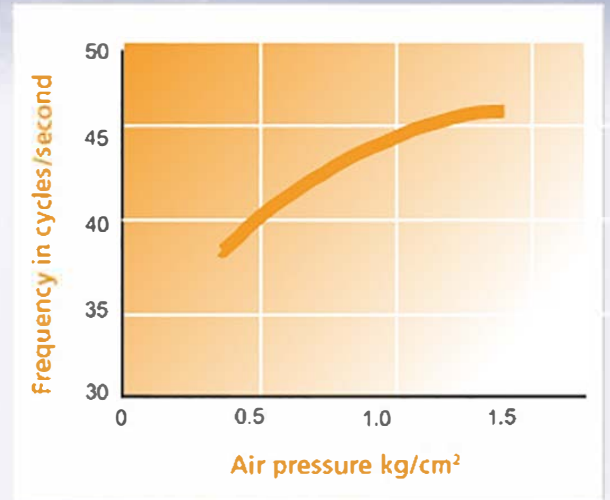
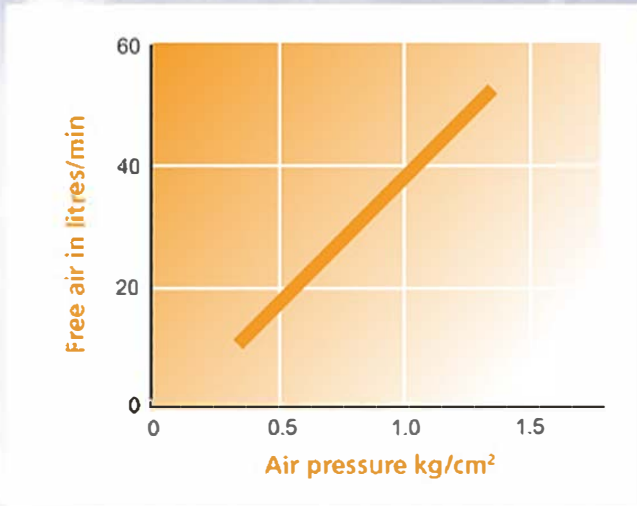
## Connection

Connect air supply to inlet piece with 9mm bore flexible hose.

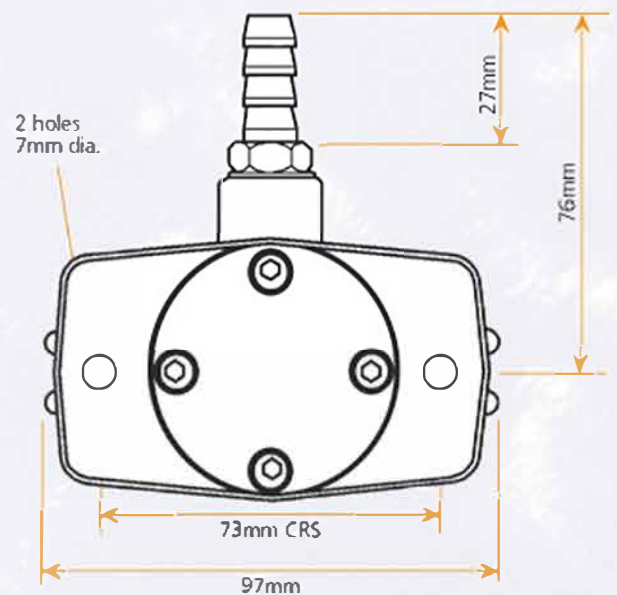
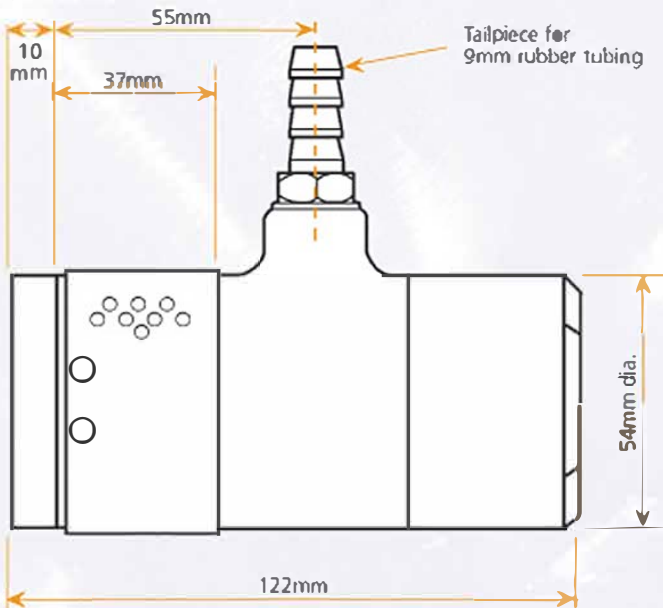
## Starting

Air pressure from 0.35kg/cm<sup>2</sup> (5psi) suddenly applied will generate auto-start. When air pressure is gradually applied, a mechanical shock is required to start.

## Performance data



## Dimensions



### Eriez Magnetics Europe Limited

European Manufacturing, Design and Test Laboratory Headquarters  
 Bedwas House Industrial Estate  
 Greenway, Bedwas  
 Caerphilly, CF83 8YG, UK

T: +44 (0)29-2085-5854  
 F: +44 (0)29 2085 1314  
 E: info-europe@eriez.com  
 www.eriez.eu

MANUFACTURING AFFILIATES IN:  
 AUSTRALIA BRAZIL CHINA GERMANY  
 INDIA JAPAN MEXICO SOUTH AFRICA USA