

Installation, Operation and Maintenance Instructions



HYDROFLOW

**DRUM TOP
SUMP
CLEANER
MODEL 90-1020**

Introduction

This manual describes Eriez' Drum Top Sump Cleaners.

A careful reading of these Installation, Operation and Maintenance Instructions will assure the most efficient and dependable performance of this equipment.

Please include the model and serial number found on the nameplate with any correspondence concerning your Drum Top Sump Cleaner.

If there are any questions or comments about the manual, please call the factory at 814-835-6000.



CAUTION

Safety labels must be affixed to this product. Should the safety label(s) be damaged, dislodged or removed, contact Eriez for replacement.

Assembly

Model 90-1020

1. Remove the jumbo cover assembly from box, and attach legs (#04997) to bottom of the cover.
2. Install the deflector 60-1400 (#90442) to the bottom of the cover.
3. Install one tank cover plug assembly (#14395) to one of the powerhead adapters 54-1160 (#14415) on the jumbo cover 60-1320. If a jumbo cover liquid shutoff is being used, do not plug the adapter above the float assembly.
4. Install the jumbo cover liquid shutoff 38-1142 (#90569) to the bottom of the cover (this is an optional item, not all units will be equipped with this).
5. Install the 2" hose adapter 60-1000 (#90332) into the 2" pipe at a 45 degree angle on top of the jumbo cover.
6. Install the venturi powerhead 54-1140 (#95990) on the jumbo cover by inserting into the powerhead adapter and turning it 1/4 turn.
7. Install the 1/2" NPT close nipple into the powerhead.
8. Attach the 1/2" NPT ball valve to the pipe nipple.
9. Install assembly on an open top 55-gallon drum. Drum must be in good condition with no dents or other defects to the drum or the drum will collapse under vacuum. A drum with a side 2" NPT bung will allow adding a drain valve to drain off fluid if desired.
10. Attach an air line fitting to the ball valve.
11. Install the hose on to the hose adapter.
12. Insert the 60-1220 cleaning tool into the hose.

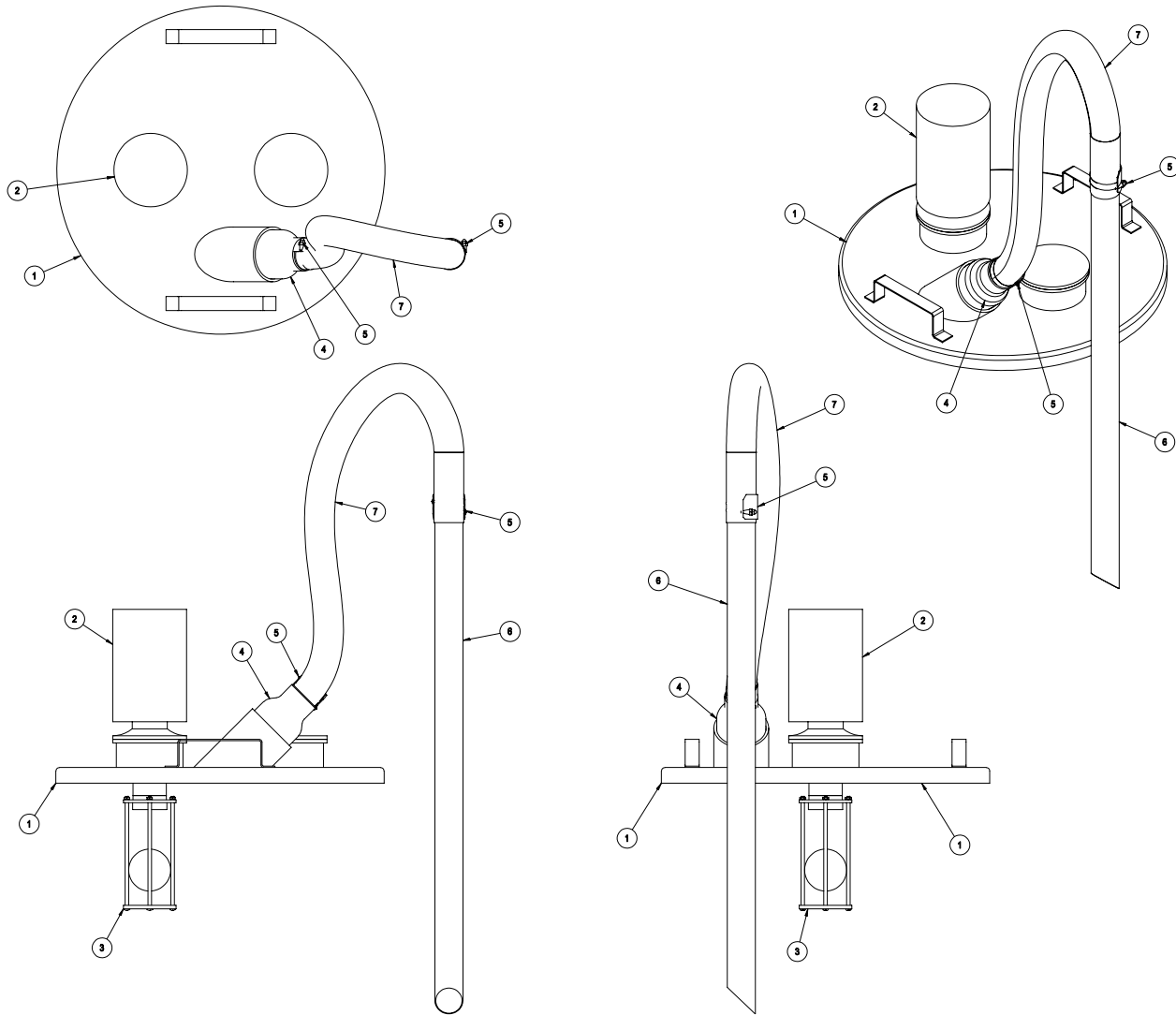
Operation

Model 90-1020

1. Attach a compressed air line to the ball valve. 1/2" I.D. airline hose is required for maximum suction. These units require 60-90PSI and 32-47 CFM to be able to perform properly.
2. Open ball valve. This will create a vacuum in the drum and at the end of the hose.
3. Use the cleaning tool to pick up solids, chips or fluids which will be sucked into the drum.
4. When the drum is full, it must be emptied into a waste tank, chip hopper, or any suitable vessel.



Spare Parts List



Part #	Stock #	Description
7	41-2110	Suction Hose
6	60-1220	Tool Cleaning Alum 2 X 36 L
5	41-1010	Clamp 2" Spiral Double
4	60-1000	Connector Adapter Hose 2"
3	38-1140	Float Liquid Shut Off
2	54-1140	Powerhead
1	60-1320	Drum Cover



HydroFlow, Eriez and Eriez Magnetics are registered trademarks of Eriez Manufacturing Co, Erie, PA

©2018 Eriez Magnetics All Rights Reserved



World Authority in Separation Technologies

Headquarters: 2200 Asbury Road, Erie, PA 16506-1402 U.S.A.

Telephone: 814-835-6000 • Fax: 814-838-4960

Web Site: <http://www.eriez.com> e-mail: eriez@eriez.com

Manufacturing Facilities: AUSTRALIA • BRAZIL • CANADA • CHINA • INDIA • JAPAN • MEXICO • SOUTH AFRICA • UNITED KINGDOM • UNITED STATES